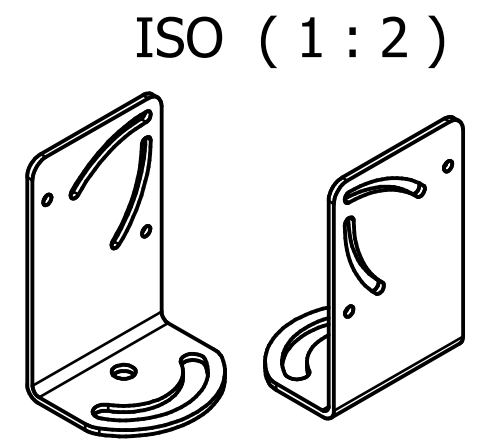
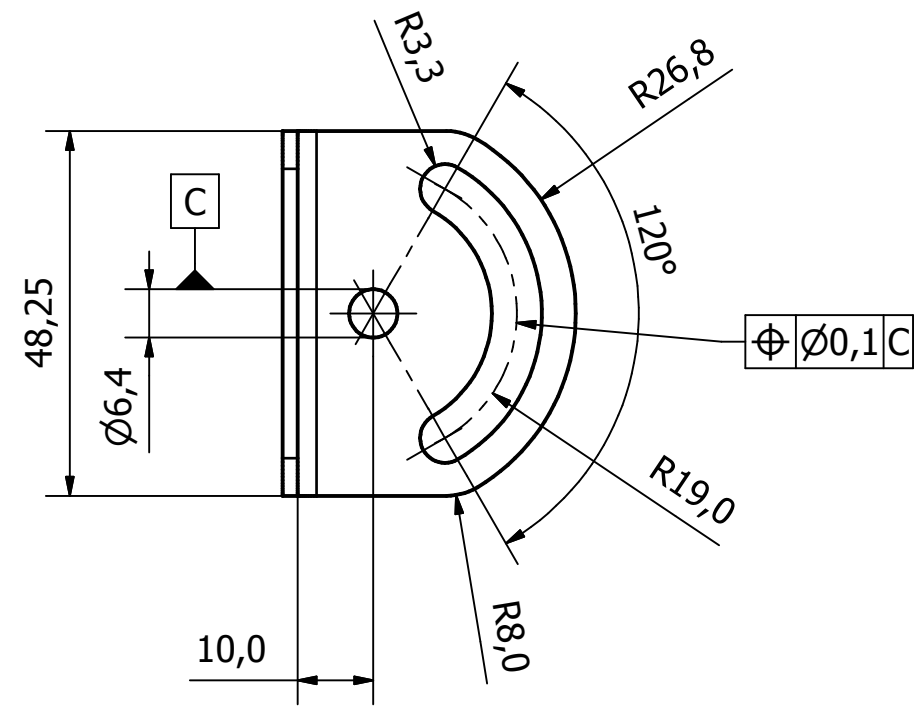
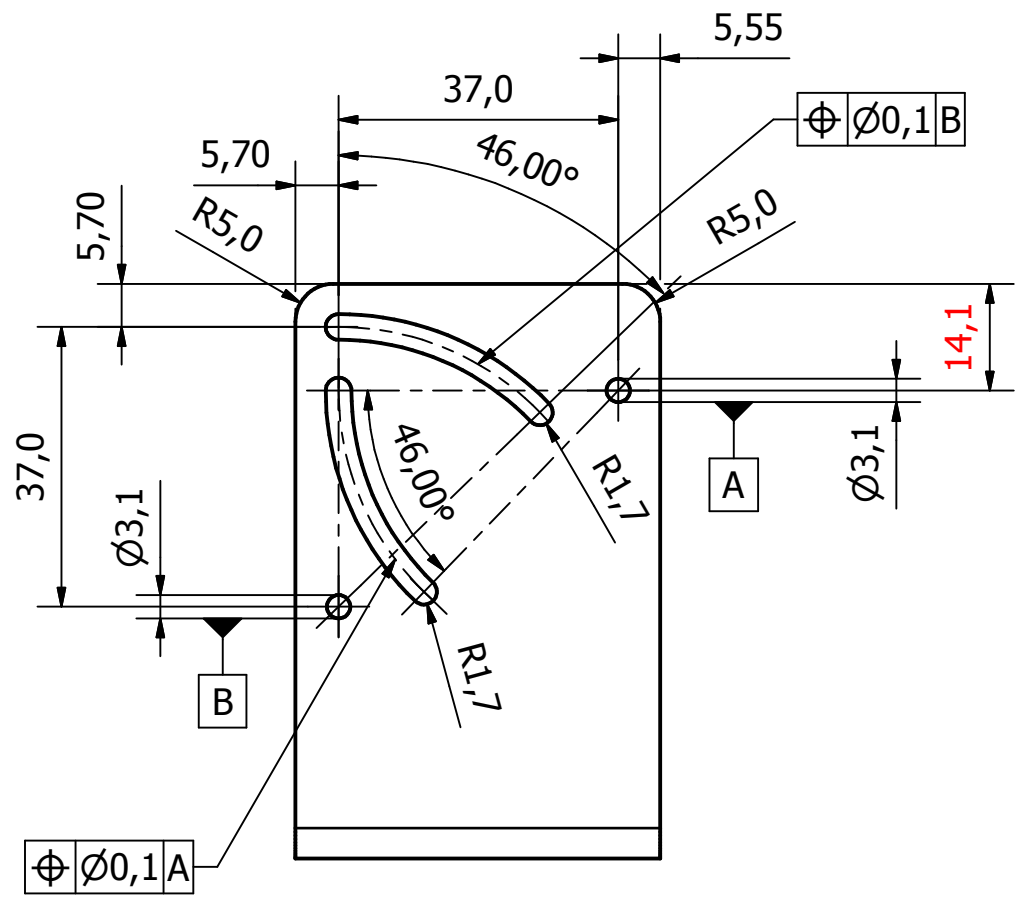
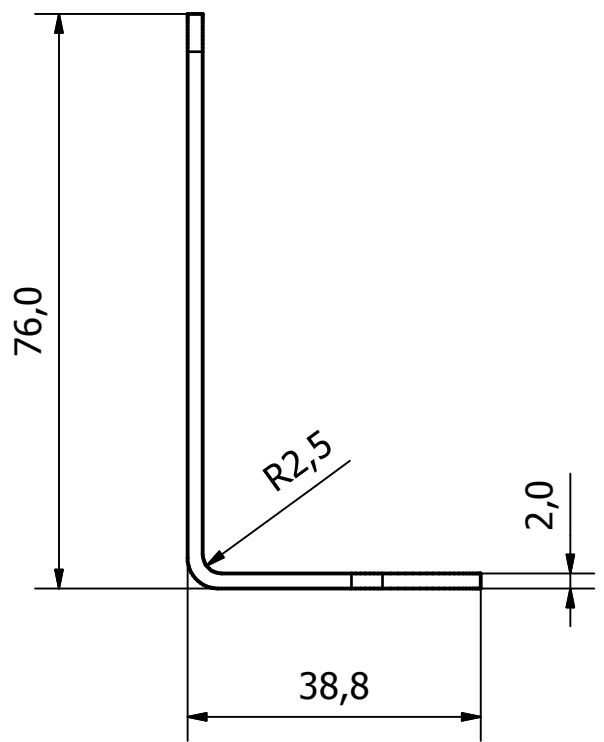


REVISIONS			
REV.	DESCRIPTION	DATE	MODIFIED
A	Released per ECO 06-470	03NOV2006	RB



This part must comply with the EU RoHS directive that restricts the use of hazardous substances.

All surfaces are galvanized.

Material		Color	
St 37 by DIN 17100 (or comparable)			
COGNEX ID Products			
Title Mounting Bracket - DM100			
Drawn by R.Bröskamp	Size A3	Date 04.07.2006	Dwg No. 370-4003R
Approved by	Scale 1:1	Unit mm	Rev A
		Sheet 1 of 1	