



Line lights - two lines

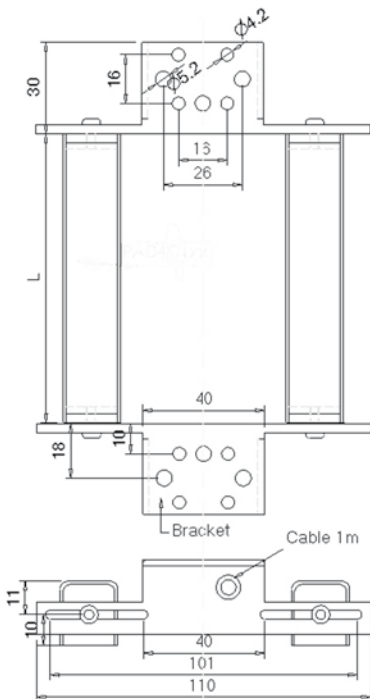
Two front line lights, which are based on the single line light (SAX4 1XXX), are available in modules from 50 to 446 mm, other dimensions on request.

The aluminium housing can be adjusted for width (40 to 101 mm) as well as the angle of the lights.

So a custom adaption to applications is very easy.

A diffuser for evenness of illumination is available optionally.

Mechanical dimensions



Step files available on request

Options

- Cable length and type see "Order options"
- Bracket options see "Lighting head brackets"
- Diffuser see "Order options"
- Different spacer width between lights:
 - 40 - 101 mm width: standard
 - 40 - 90 mm width: add "B90" to order code
 - 70 - 190 mm width: add "B190" to order code
 - 130 - 290 mm width: add "B290" to order code



Order information

Order number	Length (mm)	Controller ¹⁾	
		steady mode	strobe mode
SAX4 2050	50	1 A	8 A
SAX4 2086	86	1 A	8 A
SAX4 2122	122	1 A	8 A
SAX4 2158	158	1 A 3 A ²⁾	8 A 24 A ²⁾
SAX4 2194	194	1 A 3 A ²⁾	8 A ²⁾ 24 A ²⁾
SAX4 2230	230	3 A	24 A
SAX4 2266	266	3 A	24 A
SAX4 2302	302	3 A	24 A
SAX4 2338	338	3 A	24 A
SAX4 2374	374	3 A	24 A
SAX4 2410	410	3 A	24 A
SAX4 2446	446	3 A	24 A

¹⁾ See controller selection for details

²⁾ For light colors white, blue, green and UV

Color information

Replace "X" in order number by one character ³⁾	Color	Wavelength
H	Red	617 nm
W	White	
R	IR	880 nm
B	Blue	465 nm
G	Green	520 nm
U	UV	395 nm

³⁾ Example for red line light: SAH4 2050