

**TITLE**  
CABLE, 5 METER 12 PIN,  
M12 (RA) TO FLYING LEAD,  
CCB-PMWIO-05R

**DRAWING NUMBER**  
185-1197R\_Marketing

**SCALE**  
N/A

**PRODUCT ID**  
1 OF 1

**ORIGINATOR**  
C.GRIFFITH

**DATE**  
4/11/2013

**CHECKED BY**  
APPROVED

**UNLESS OTHERWISE SPECIFIED**  
ALL SURFACE FINISHES 32 MICRO -  
DIMENSIONS ARE IN INCHES  
TOLERANCES ARE:  
FRACTIONS DECIMALS ANGLES  
±1/64 .XX±.02 ±0°15'  
.XXX±.005

**REVISIONS**

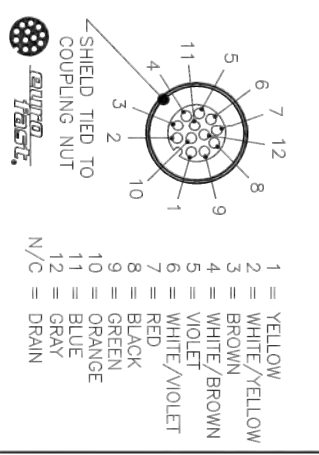
**DESCRIPTION**

**DATE**  
4/11/2013

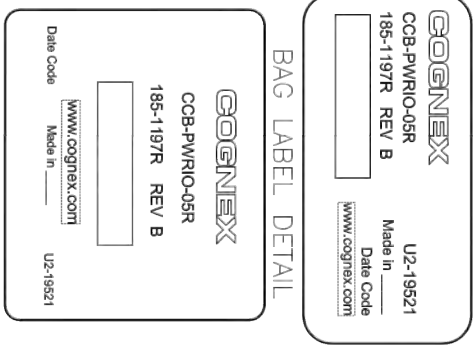
This document is proprietary to Cognex Corp., Natick, MA, and may not be used in any way, disclosed to others, or reproduced, in whole or in part, except as expressly authorized by Cognex in writing. Any permitted reproduction of this document must include this notice.  
©2012 Cognex Corp. All rights reserved.

**E.C.O REV.** N/A | **B** | **SALES REFERENCE ONLY** | **DWN.** | **DATE** 4/11/2013

**FEMALE END VIEW**

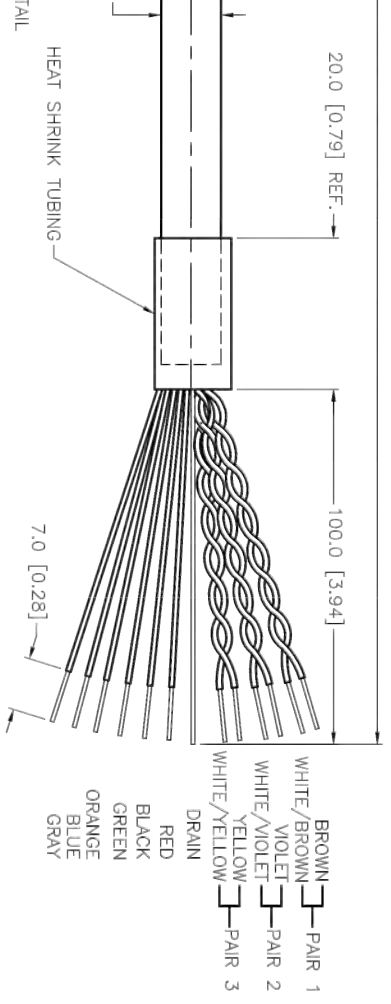
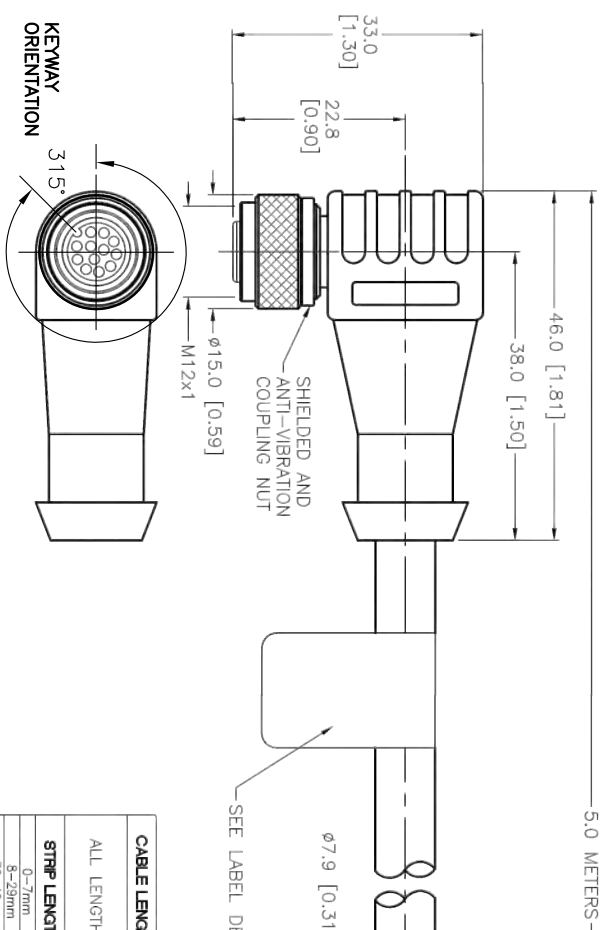


**FLAG LABEL DETAIL**



**SPECIFICATIONS**

CONTACT CARRIER MATERIAL	NYLON or TPU
MOLDED HEAD MATERIAL/COLOR	TPU/BLACK
CONTACT MATERIAL/PLATING	BRASS/GOLD
COUPLING NUT MATERIAL/PLATING	BRASS/NICKEL
RATED CURRENT [A]	2.0 A
RATED VOLTAGE [V]	60 VAC/75 VDC
OUTER CABLE JACKET MATERIAL/COLOR	PVC/BLACK
CONDUCTOR INSULATION MATERIAL	PVC
NUMBER OF CONDUCTORS [AWG]	12x24 AWG (3 UNSHIELDED, TWISTED PAIRS & 6 SINGLES)
DRAIN/SHIELD	26 AWG/FOIL & TINNED-COPPER BRAIDED (MIN. 65% COVERAGE)
TEMPERATURE RANGE	-40°C to +105°C (-40°F to +221°F)
PROTECTION CLASS	MEETS IEC IP67



CABLE LENGTH	TOLERANCE
ALL LENGTHS	+ 4% (OR 50mm) OF LENGTH - 0% (OR 0mm) OF LENGTH WHICHEVER IS GREATER
STRIP LENGTH	TOLERANCE
0-7mm	±0.5mm
8-29mm	±1.0mm
30-49mm	±2.0mm
50-69mm	±3.0mm
70-100mm	±4.0mm
OVER 100mm	±5.0mm

**PRELIMINARY**

SOURCE DRAWING - FOR REFERENCE ONLY