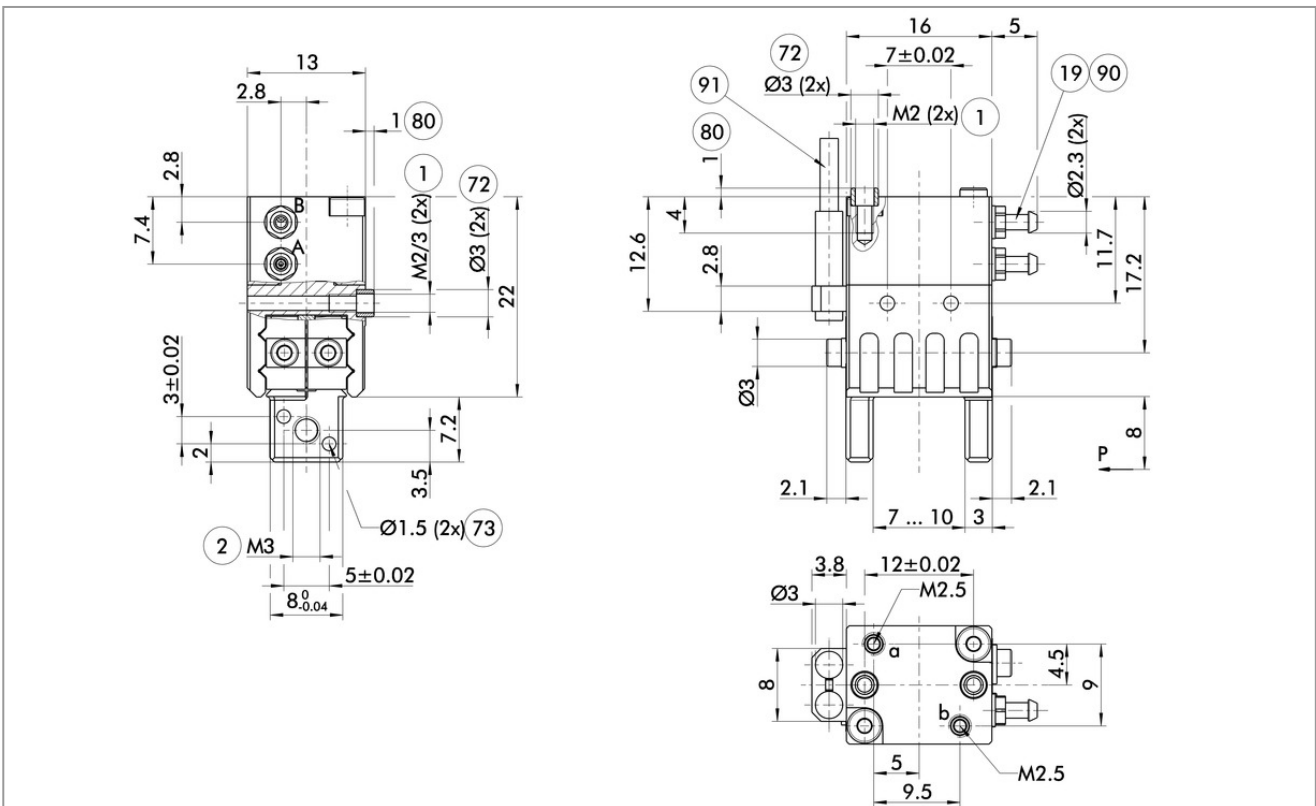


Main view

0305481 MPG-plus 16

i Please note that the drawing shown is a view of the basic product. Individual product variants are supplemented by the following drawings. Please also take note of the article's catalog data sheet here.



The drawing shows the basic version of the gripper with open jaws, without dimensional consideration of the options described below.

A, a Main / direct connection, gripper opening

B, b Main / direct connection, gripper closing

① Gripper connection

② Finger connection

⑱ Air connection

⑳ Fit for centering sleeves

㉑ Fit for centering pins

㉒ Depth of the centering sleeve hole in the counter part

㉓ Bosch-Rexroth compressed air hose, TU1-S (Ø 3.0–0.6) series, Order no.: 1820712066 (-67/-68/-69)

91

Sensor IN ...