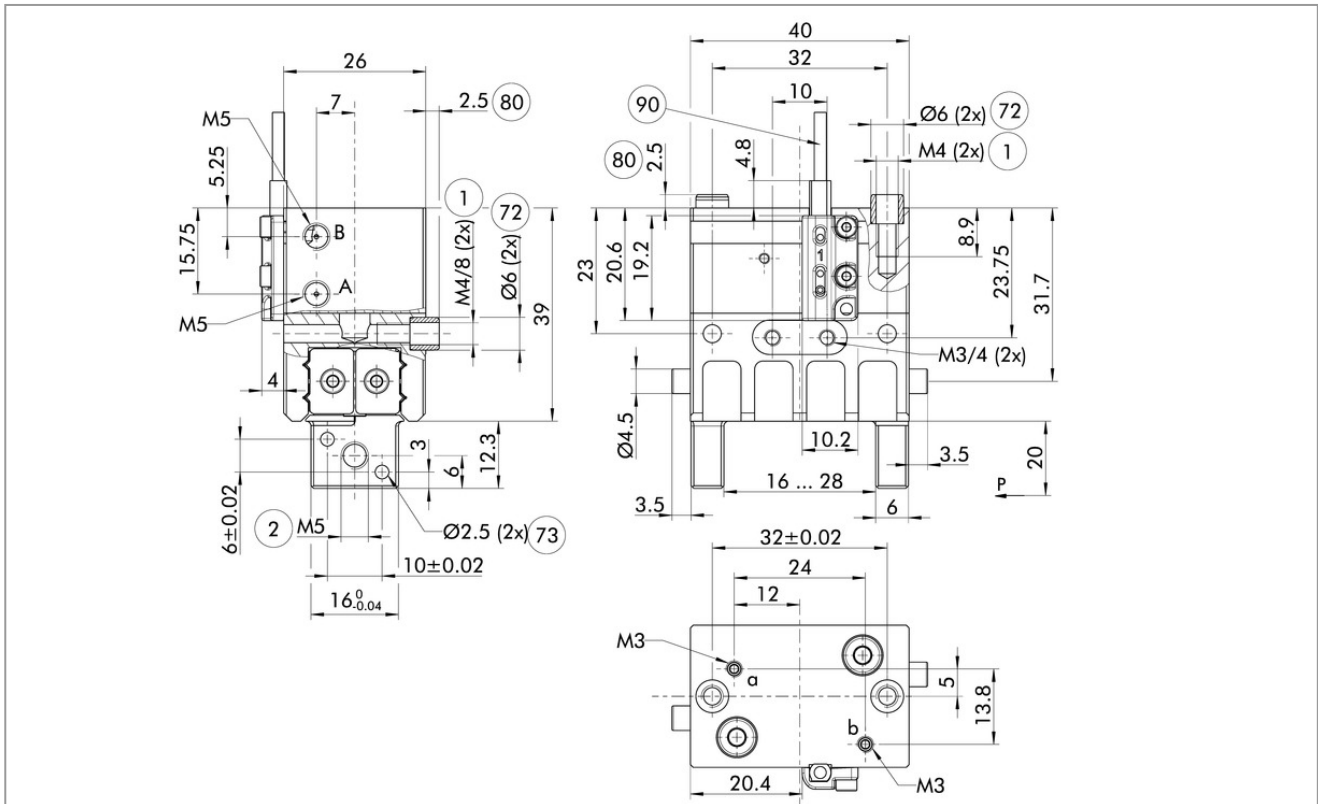


## Main view

## 030522 MPG-plus 40-AS

**i** Please note that the drawing shown is a view of the basic product. Individual product variants are supplemented by the following drawings. Please also take note of the article's catalog data sheet here.



The drawing shows the basic version of the gripper with open jaws, without dimensional consideration of the options described below.

A, a Main / direct connection, gripper opening

B, b Main / direct connection, gripper closing

① Gripper connection

② Finger connection

⑦② Fit for centering sleeves

⑦③ Fit for centering pins

⑧① Depth of the centering sleeve hole in the counter part

⑨① MMS 22...-PI2-... sensor