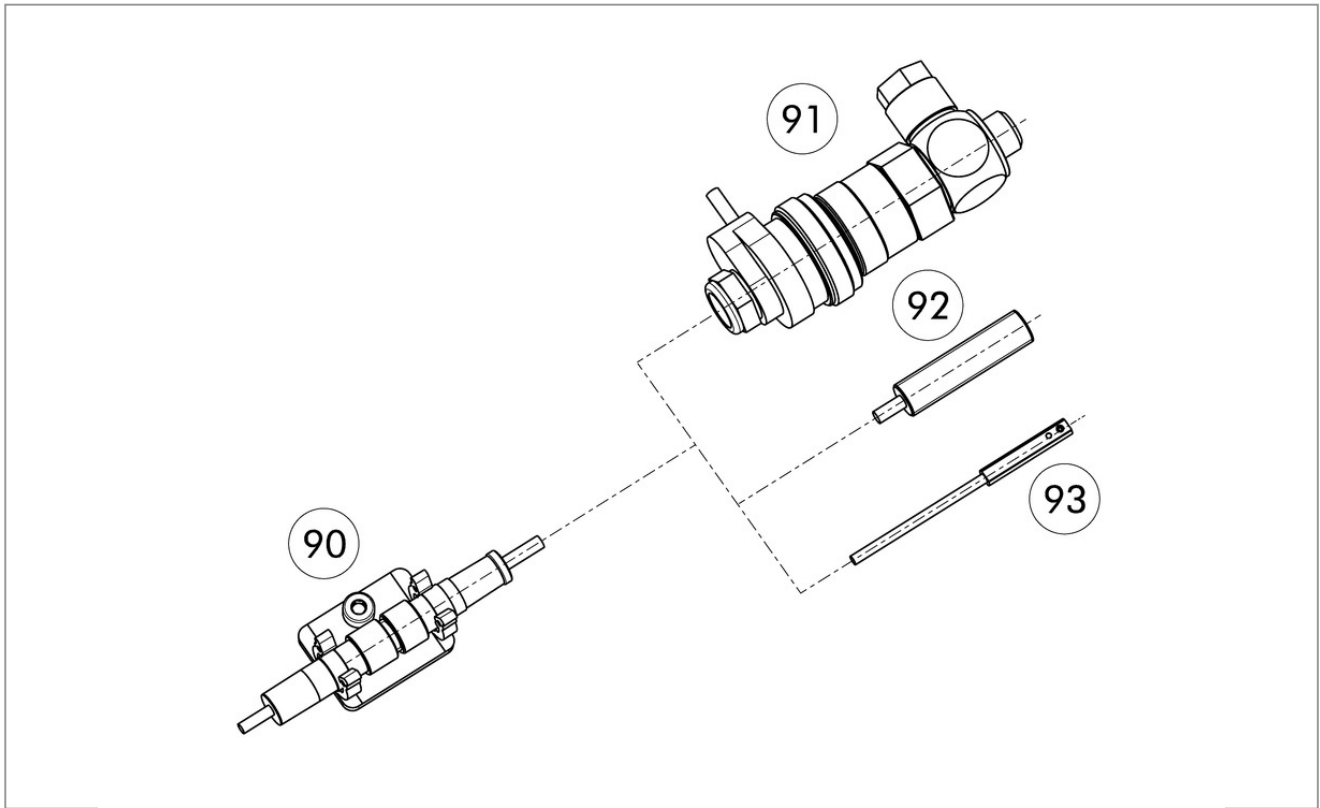


clip for plug/socket

1001272 IN 30K-S-M8-PNP



The CLI clip is used for fastening and strain relief for the plug connectors. For example for the sensor and cable extension connection.

- ⑨⑩ CLI plug bracket
- ⑨① MV micro valve
- ⑨② IN proximity switch
- ⑨③ Magnetic switch MMS