

This document is proprietary to Cognex Corp., Natick, MA. and may not be used in any way, disclosed to others, or reproduced, in whole or in part, except as expressly authorized by Cognex in writing. Any permitted reproduction of this document must include this notice. ©2012 Cognex Corp. All rights reserved.

Material:	---
Volume:	---
Weight:	---
General Tolerances	
x.X	± 0,1
x.XX	± 0,05
Drawn	F.Lingnau
Approved	---

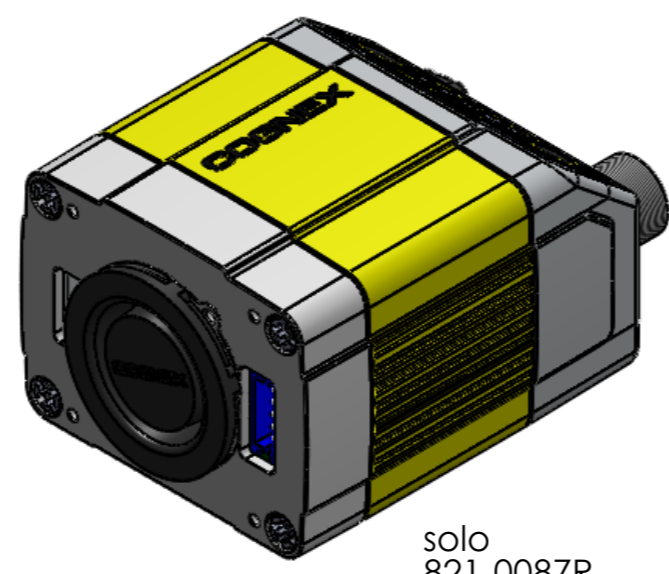
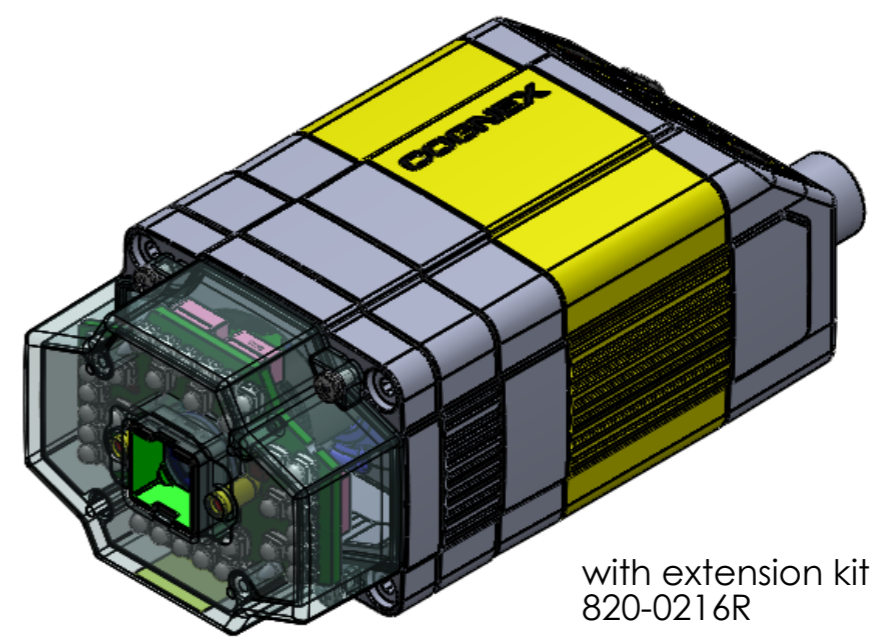
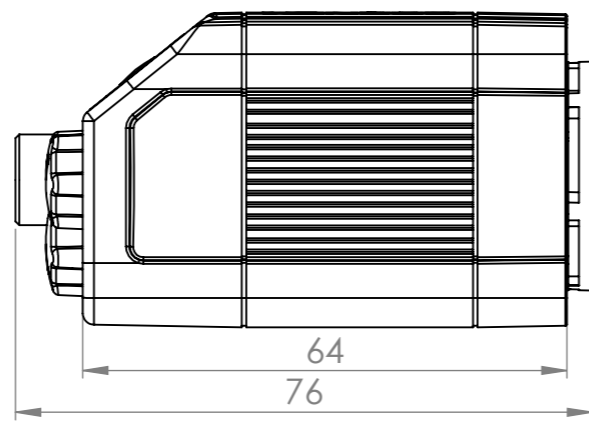
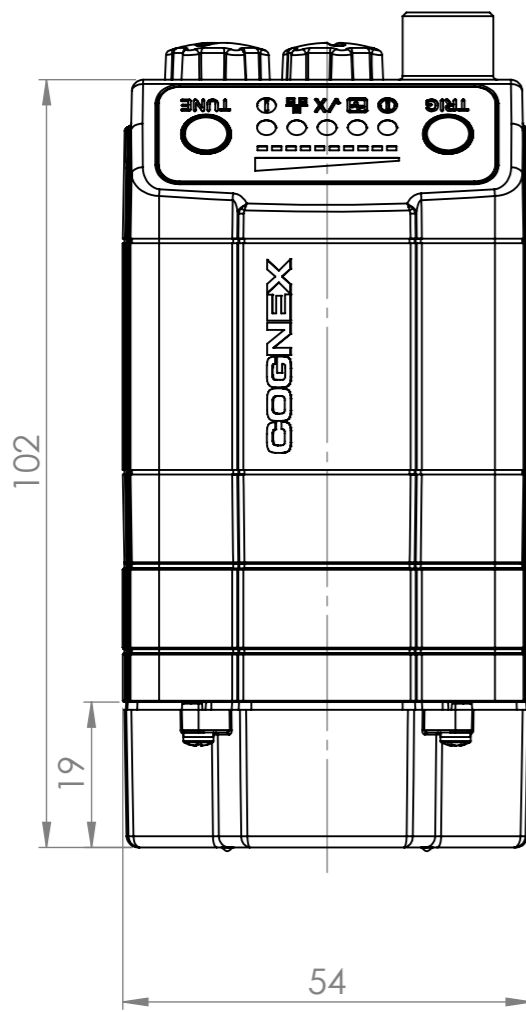
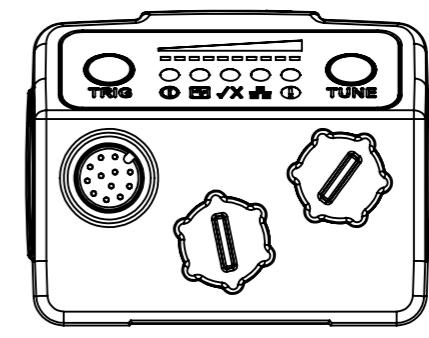
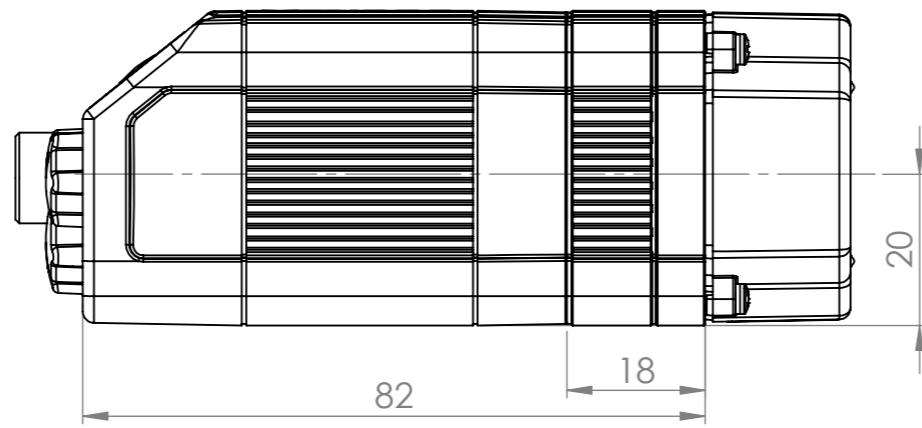
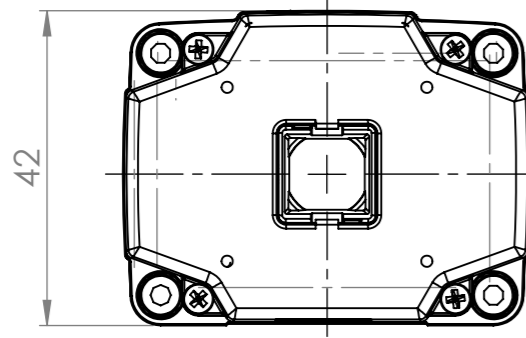
COGNEX

mounting dimensions

DataMan 300

Size	A3	Date	17.12.2010	Dwg No.	Mounting dimensions	Rev	5
Scale	1:1	Unit	mm				

SHEET 1 OF 3



This document is proprietary to Cognex Corp., Natick, MA. and may not be used in any way, disclosed to others, or reproduced, in whole or in part, except as expressly authorized by Cognex in writing. Any permitted reproduction of this document must include this notice. ©2012 Cognex Corp. All rights reserved.

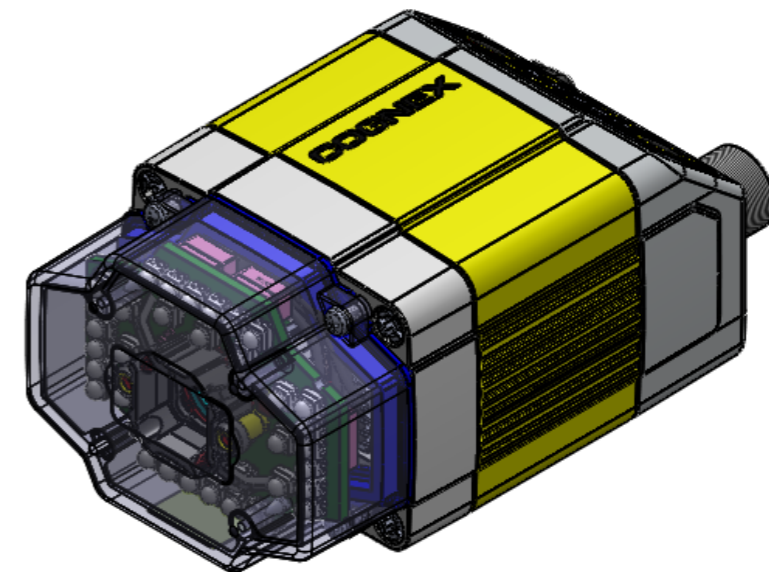
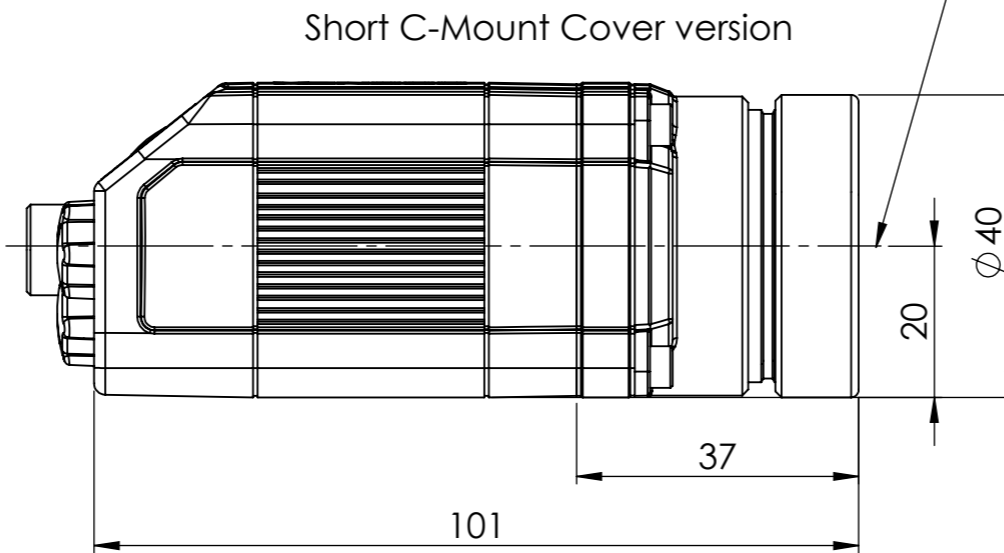
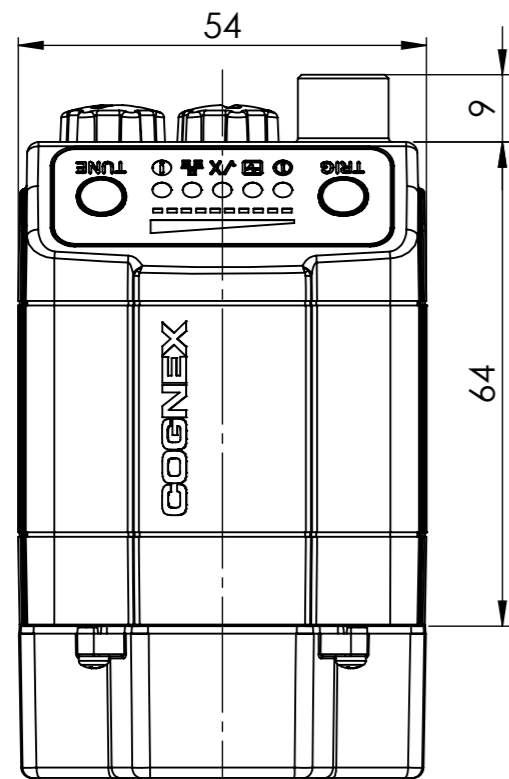
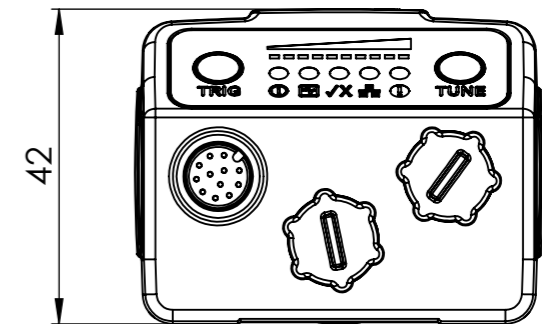
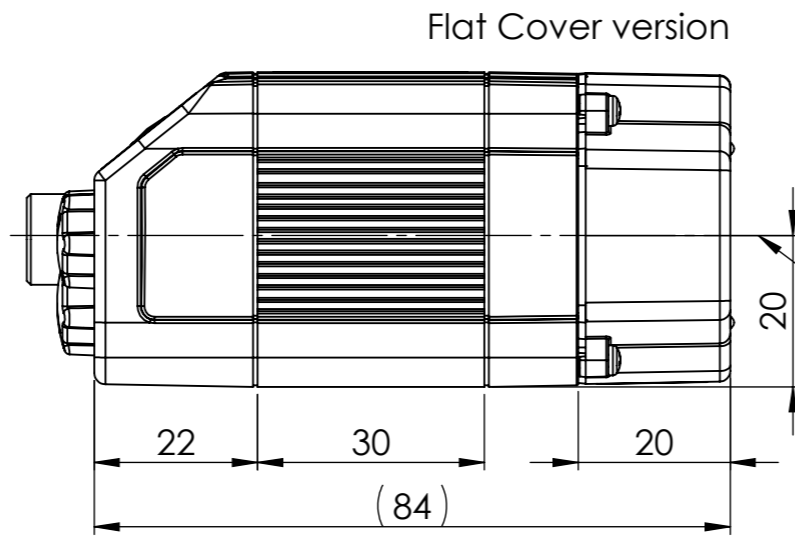
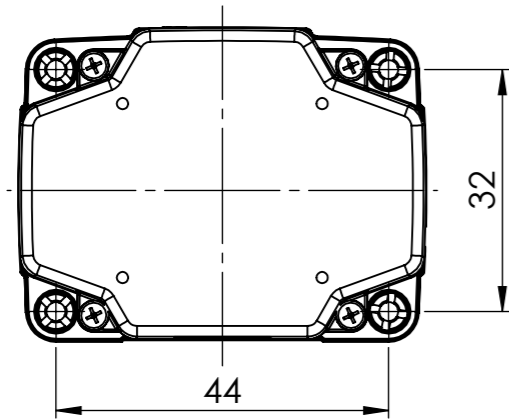
Material:	---
Volume:	---
Weight:	---
General Tolerances	
x.X	± 0,1
x.XX	± 0,05
Drawn	F.Lingnau
Approved	---

COGNEX

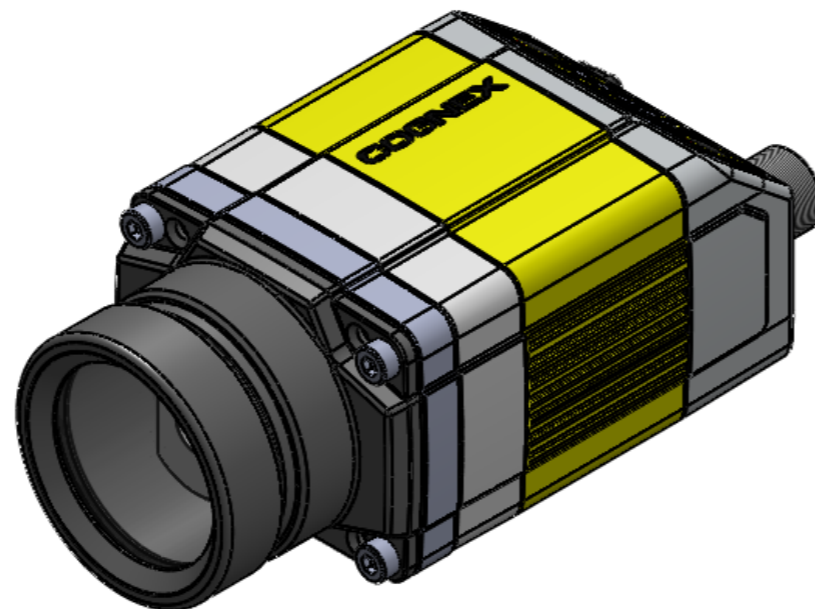
mounting dimensions

DataMan 300

Title	Mounting dimensions			Rev	5
Size	A3	Date	17.12.2010	Dwg No.	
Scale	1:1	Unit	mm		



DataMan 300 with Flat Front Cover



DataMan 300 with Short C-mount Cover

This document is proprietary to Cognex Corp., Natick, MA, and may not be used in any way, disclosed to others, or reproduced, in whole or in part, except as expressly authorized by Cognex in writing. Any permitted reproduction of this document must include this notice. ©2012 Cognex Corp. All rights reserved.

Material:	---			Title					
Volume:	---								
Weight:	---								
General Tolerances		Title							
x.X	± 0,1	mounting dimensions DataMan 300							
x.XX	± 0,05								
Drawn	F.Lingnau	Size	A3	Date	28.01.2014	Dwg No.	Mounting dimensions	Rev	5
Approved	---	Scale	1:1	Unit	mm			SHEET 3 OF 3	