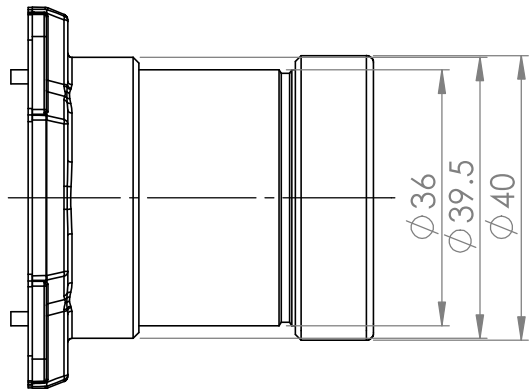
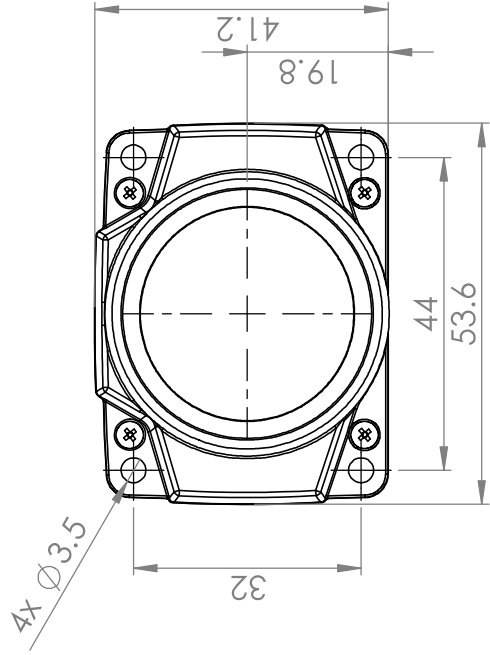
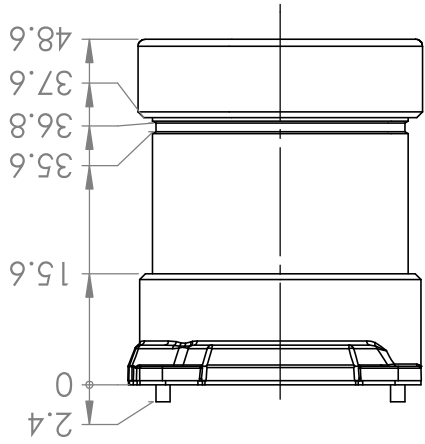


1 2 3 4 5 6

This document is proprietary to Cognex Corp., Natick, MA, and may not be used in any way, disclosed to others, or reproduced, in whole or in part, except as expressly authorized by Cognex in writing. Any permitted reproduction of this document must include this notice. ©2012 Cognex Corp. All rights reserved.



<b>COGNEX</b>		Title	
Material: VAR	Volume: ---	C-Mount cover OWL	
Weight: ---	Tolerances	Size A4	Date 25.04.2012
	X.X ± 0,1	Scale 1:1	Unit mm
	X.XX ± 0,05	Drawn RD	Dwg No. D820-0062-X
Approved ---		Rev A	SHEET 2 OF 2