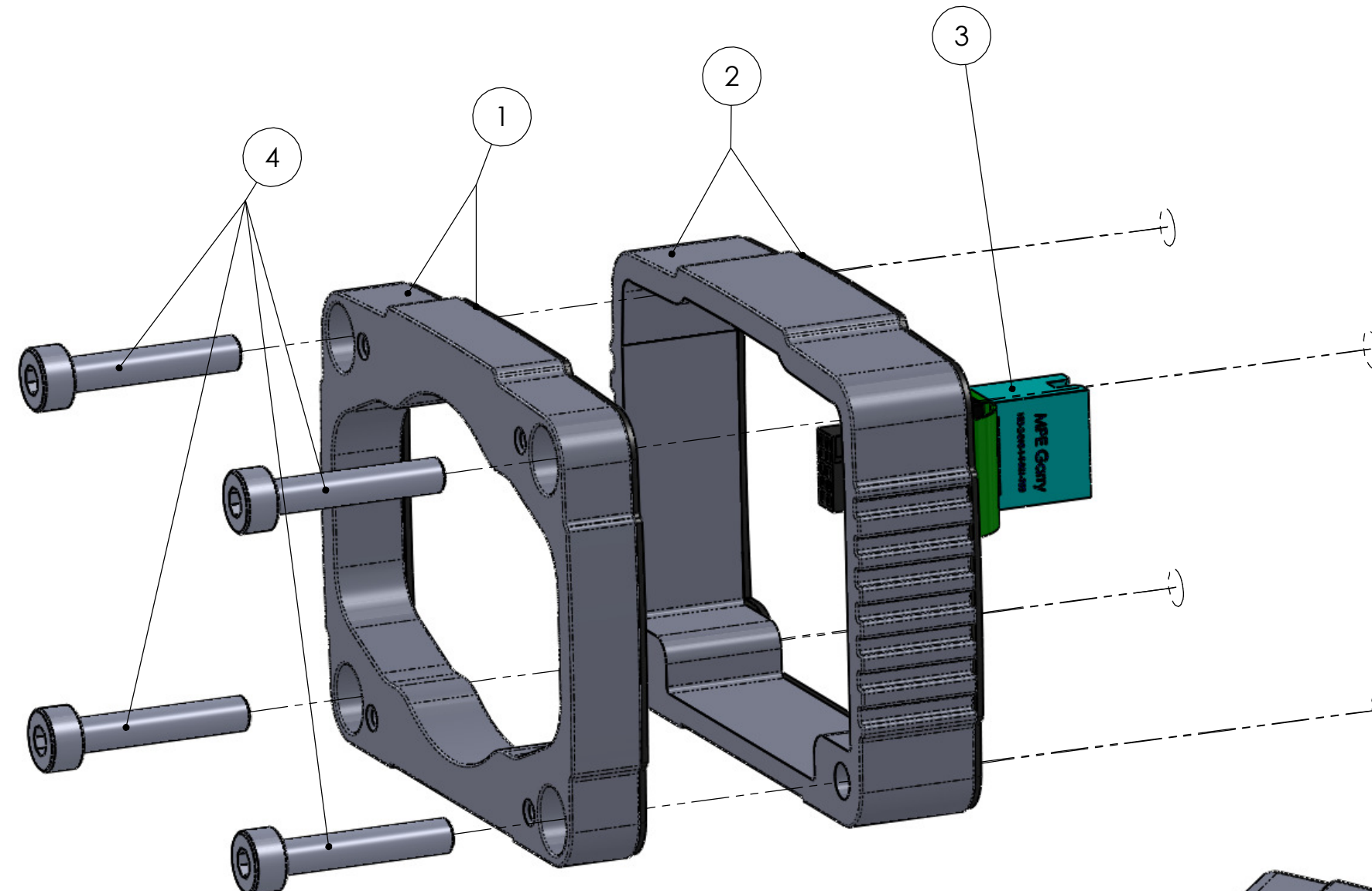


This document is proprietary to Cognex Corp., Natick, MA. and may not be used in any way, disclosed to others, or reproduced, in whole or in part, except as expressly authorized by Cognex in writing. Any permitted reproduction of this document must include this notice. ©2012 Cognex Corp. All rights reserved.

REVISIONS			
REV.	DESCRIPTION	DATE	MODIFIED
A	RELEASED PER ECO 12-159	04APR2012	RD
B	CHANGED PER ECO 12-425	09OCT2012	RD

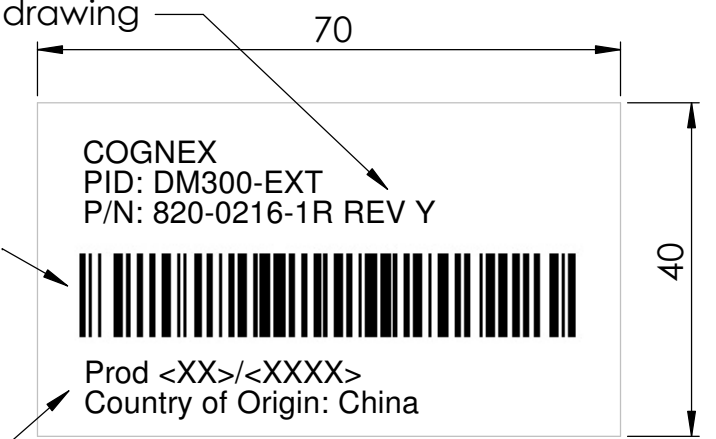


**LABEL SPEC:**

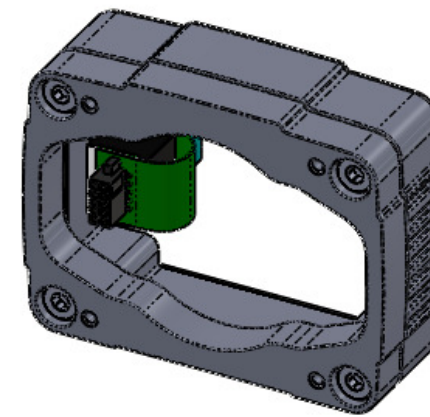
Y: Revision of this drawing

Code 128; 12 mil  
Text: 820-0216-1R

WEEK/YEAR



**INSTRUCTION MANUAL:**



1:1

**NOTES:**

PACKAGING: ALL ITEMS MUST BE PACKED IN A PE-BAG WITH A LABEL AS SHOWN ABOVE. THE CONNECTOR MUST BE PACKED IN A SEPARATE AIR CUSHIONED SMALLER PE-BAG.

INSTRUCTION MANUAL MUST BE INCLUDED IN THIS KIT.

THIS PART MUST COMPLY WITH THE EU RoHS DIRECTIVE THAT RESTRICTS THE USE OF HAZARDOUS SUBSTANCES.

Material: VAR		Title <b>COGNEX</b> OWL EXTENSION KIT DM300		Size A3	Date 28.11.2011	Dwg No. D820-0216-X	Rev B
Volume: ---							
Weight: ---							
Tolerances		Scale 2:1	Unit mm	SHEET 1 OF 1			
x.X	± 0,1						
x.XX	± 0,05						
Drawn jhanf	Approved ---						