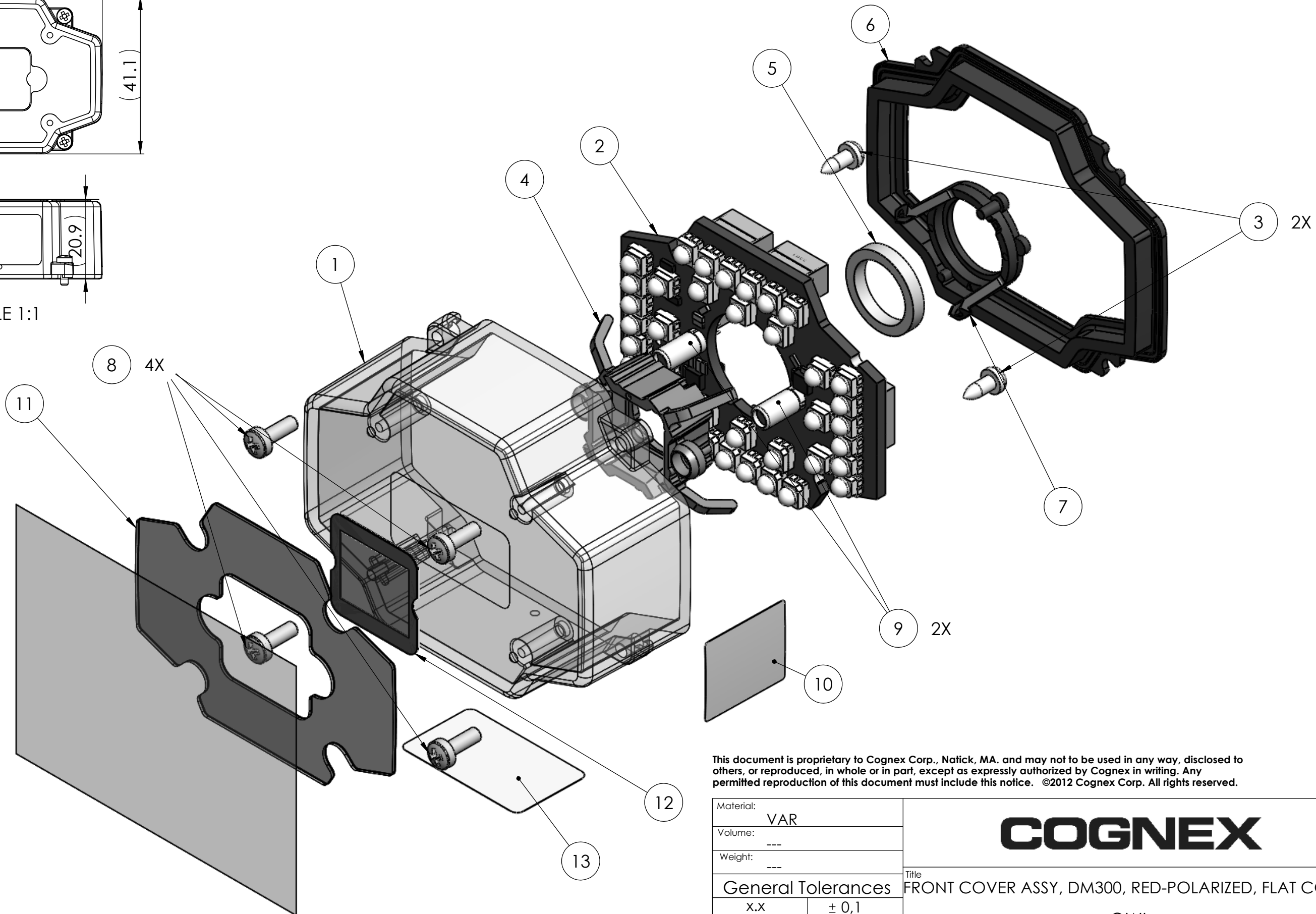
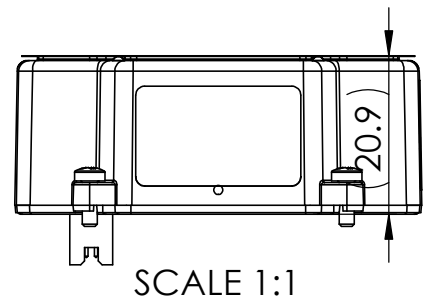
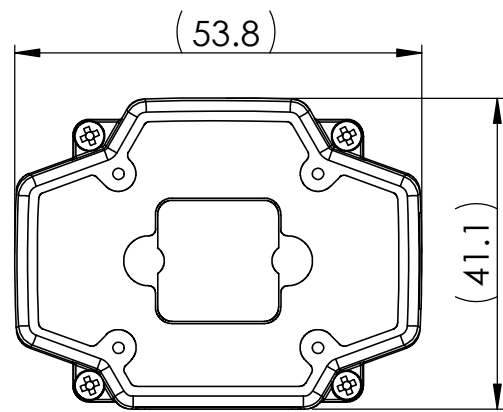


REVISIONS			
REV.	DESCRIPTION	DATE	MODIFIED
A	RELEASED PER ECO 14-040	06FEB2014	RD



This document is proprietary to Cognex Corp., Natick, MA. and may not be used in any way, disclosed to others, or reproduced, in whole or in part, except as expressly authorized by Cognex in writing. Any permitted reproduction of this document must include this notice. ©2012 Cognex Corp. All rights reserved.

Material:	VAR
Volume:	---
Weight:	---
General Tolerances	
x.x	± 0,1
x.xx	± 0,05

COGNEX

Title
FRONT COVER ASSY, DM300, RED-POLARIZED, FLAT COVER

OWL

Drawn	RD	Size	A3	Date	16.09.2013	Dwg No.	D820-9122-X	Rev	A
Approved	---	Scale	2:1	Unit	mm			SHEET 1 OF 1	

This part must comply with the EU RoHS directive that restricts the use of hazardous substances.