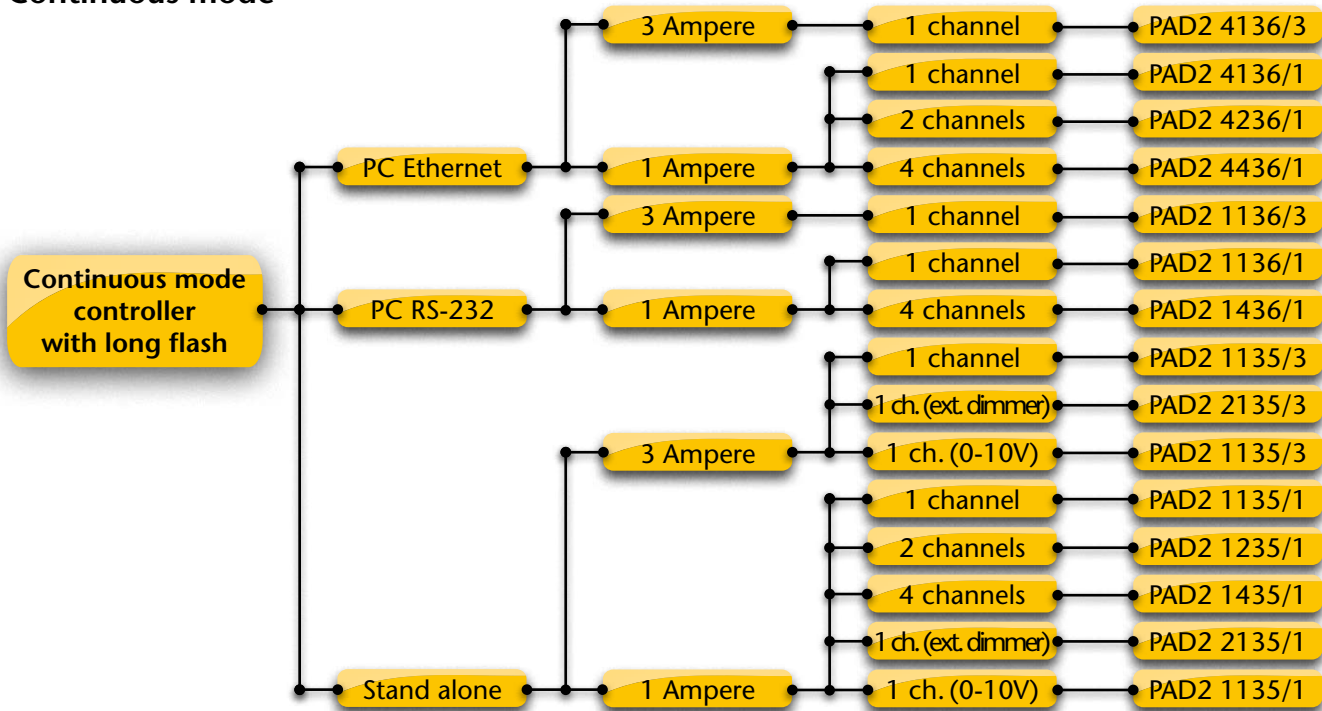




# Controller selection

## Continuous mode



## Strobe mode

