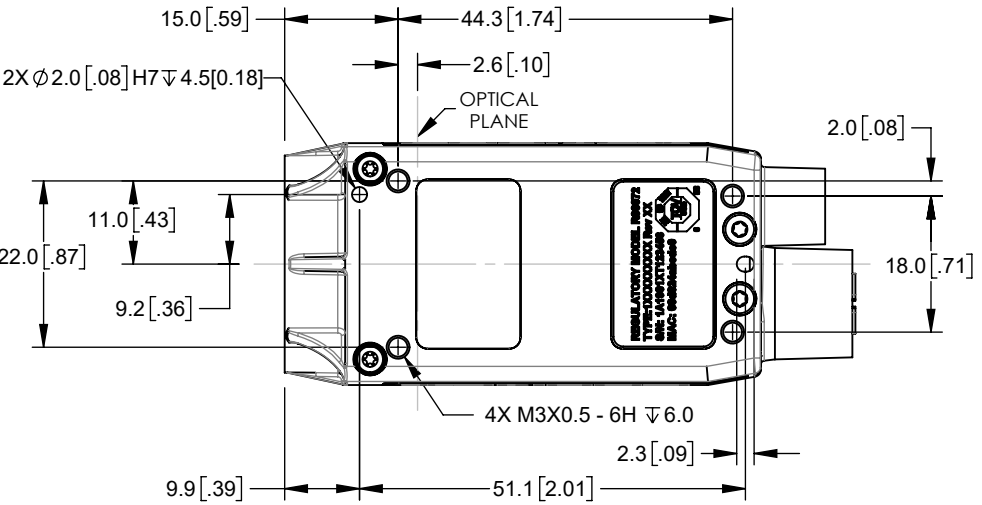
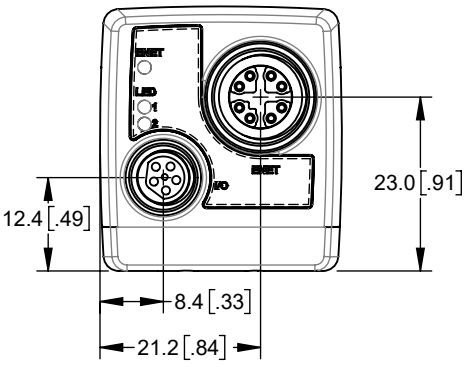
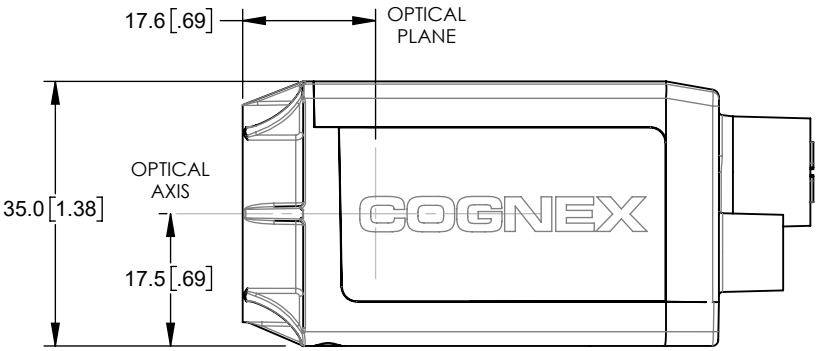
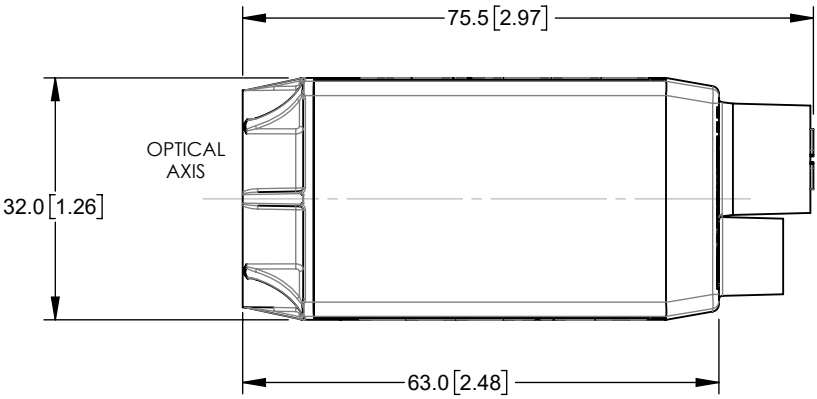


REVISIONS	
DATE	DESCRIPTION
04/03/2020	INITIAL RELEASE



- NOTES:
1. ALL DIMENSIONS FOR REFERENCE PURPOSES ONLY.
 2. ALL SPECIFICATIONS MAY CHANGE WITHOUT NOTICE.

DIMENSIONS:
UNLESS OTHERWISE SPECIFIED, DIMENSIONS ARE DISPLAYED IN MILLIMETERS [INCHES]

TOLERANCES:
X.X[X.XX]: ± 0.25[.010]
X.XX[X.XXX]: ± 0.13[.005]
ANGULAR: ± .5°
GEOMETRIC TOLERANCES PER ASME Y14.5M-1994

COGNEX		NATICK, MA 01760 www.cognex.com/support/In-Sight.asp	
MATERIAL: ZINC, PLASTIC, STAINLESS STEEL	APPLIES TO: IN-SIGHT 8505P IN-SIGHT 8502P		
SCALE: 1:1	DOC NO: IS020-01	REL DATE: 04/09/2020	