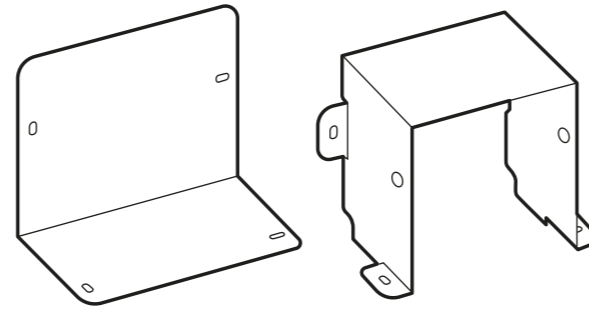
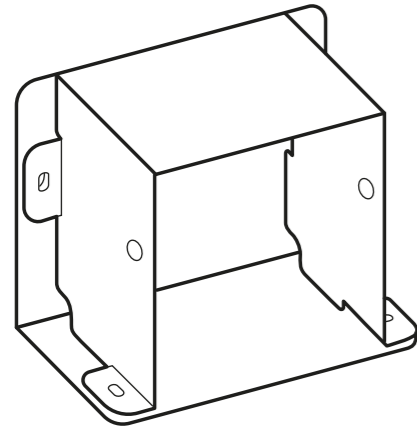


# LBK System

Metal protector kit for LBK sensor



AISI 304 stainless steel

