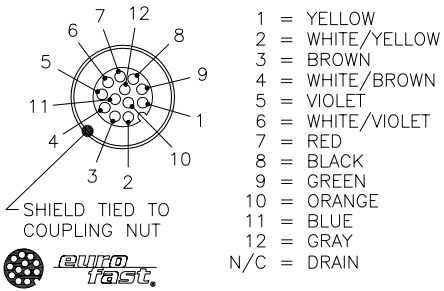


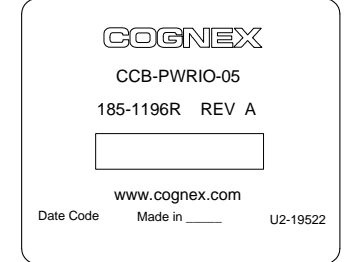
FEMALE END VIEW



FLAG LABEL DETAIL

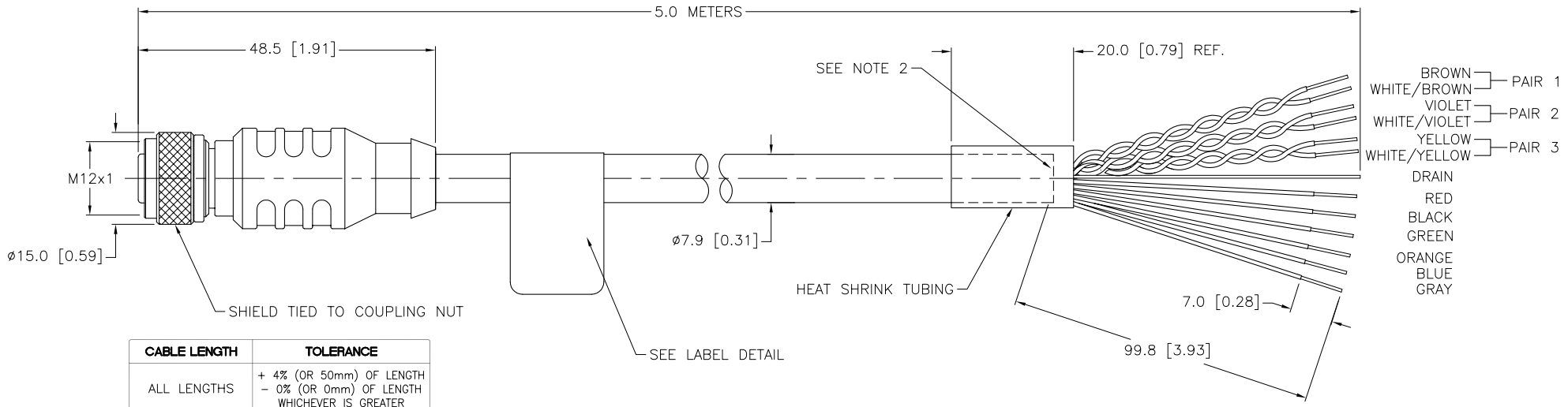


BAG LABEL DETAIL



SPECIFICATIONS

CONTACT CARRIER MATERIAL	TPU or NYLON
MOLDED HEAD MATERIAL/COLOR	TPU/BLACK
CONTACT MATERIAL/PLATING	BRASS/GOLD
COUPLING NUT MATERIAL/PLATING	BRASS/NICKEL
RATED CURRENT [A]	2.0 A
RATED VOLTAGE [V]	60 VAC/75 VDC
OUTER CABLE JACKET MATERIAL/COLOR	PVC/BLACK
CONDUCTOR INSULATION MATERIAL	PVC
NUMBER OF CONDUCTORS [AWG]	12x24 AWG (3 UNSHIELDED, TWISTED PAIRS & 6 SINGLES)
DRAIN/SHIELD	26 AWG/FOIL & TINNED-COPPER BRAIDED (MIN. 65% COVERAGE)
TEMPERATURE RANGE	-40°C to +105°C (-40°F to +221°F)
PROTECTION CLASS	MEETS IEC IP67



CABLE LENGTH	TOLERANCE
ALL LENGTHS	+ 4% (OR 50mm) OF LENGTH - 0% (OR 0mm) OF LENGTH WHICHEVER IS GREATER
STRIP LENGTH	TOLERANCE
0-7mm	±0.5mm
8-29mm	±1.0mm
30-49mm	±2.0mm
50-69mm	±3.0mm
70-100mm	±4.0mm
OVER 100mm	±5.0mm

- NOTES:
1. TURCK EQUIVALENT: RKS 12T-5/CS...PRIVATE LABEL.
 2. "/CS..." DESIGNATES BLACK PLUG BODY, CABLE 10151338 WITH CUSTOM PINOUT AND HEAT SHRINK. SHIELD TIED TO M12 COUPLING NUT.
 3. LEADS ARE TINNED.
 4. CUSTOM LABEL.

SOURCE DRAWING - FOR REFERENCE ONLY

RELATED DOCUMENTS 1. 2. 3. 4.	3RD ANGLE PROJECTION 	THIS DRAWING IS CONFIDENTIAL AND THE PROPERTY OF TURCK INC. USE OF THIS DOCUMENT WITHOUT WRITTEN PERMISSION IS PROHIBITED.		TURCK INC High Technology Sensors and Automation Controls 3000 CAMPUS DRIVE MINNEAPOLIS, MN 55441 1-800-544-7769 (763) 553-7300 (763) 553-0708 fax turck.com	
		DRFT RDS	DATE 11/22/11	DESCRIPTION CCB-PWRIO-05	
MATERIAL SEE SPECIFICATIONS	ALL DIMENSIONS DISPLAYED ON THIS DRAWING ARE FOR REFERENCE ONLY	APVD C.K.	SCALE 1=1.0	IDENTIFICATION NO. U2-19522	
FINISH SEE SPECIFICATIONS		UNIT OF MEASUREMENT MILLIMETER [INCH]		REV B	DO NOT SCALE THIS DRAWING
CONTACT TURCK FOR MORE INFORMATION		FILE: U2-19522		SHEET 1 OF 1	

B	REMOVE "CS" NUMBER FROM TURCK EQUIV.	RDS	01/09/12	37759
REV	DESCRIPTION	BY	DATE	ECO NO.