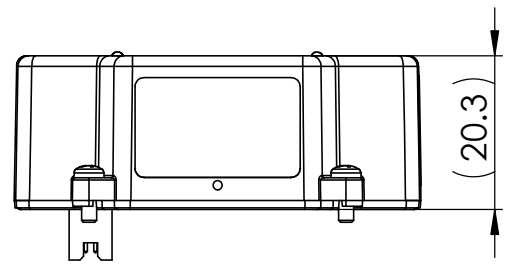
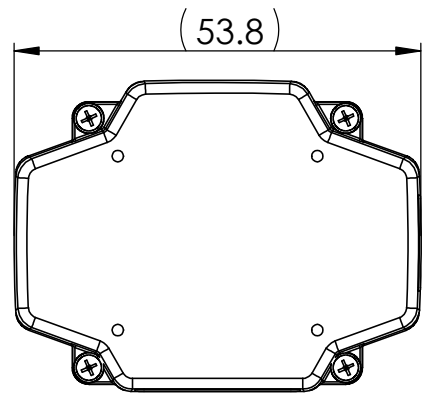
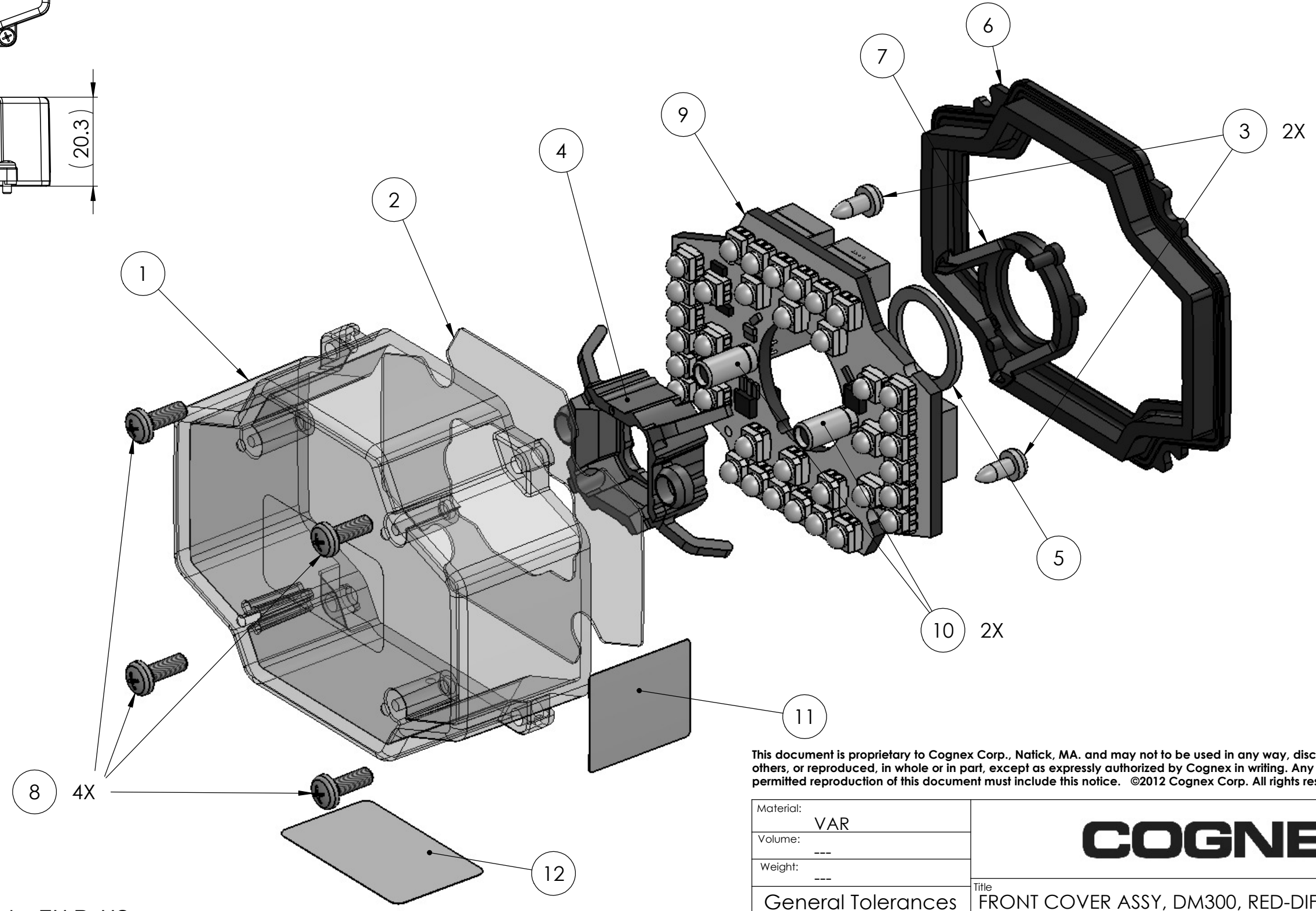


REVISIONS			
REV.	DESCRIPTION	DATE	MODIFIED
A	RELEASED PER ECO 14-040	06FEB2014	RD



SCALE 1:1



This document is proprietary to Cognex Corp., Natick, MA. and may not be used in any way, disclosed to others, or reproduced, in whole or in part, except as expressly authorized by Cognex in writing. Any permitted reproduction of this document must include this notice. ©2012 Cognex Corp. All rights reserved.

This part must comply with the EU RoHS directive that restricts the use of hazardous substances.

Material:	VAR		
Volume:	---		
Weight:	---		
General Tolerances		Title	
x.x	± 0,1	FRONT COVER ASSY, DM300, RED-DIFFUSE, FLAT COVER	
x.xx	± 0,05	OWL	
Drawn	F.Lingnau	Size	A3
Approved	---	Date	29.04.2011
		Dwg No.	D820-0290-X
		Scale	2:1
		Unit	mm
		Rev	A
		SHEET 1 OF 1	