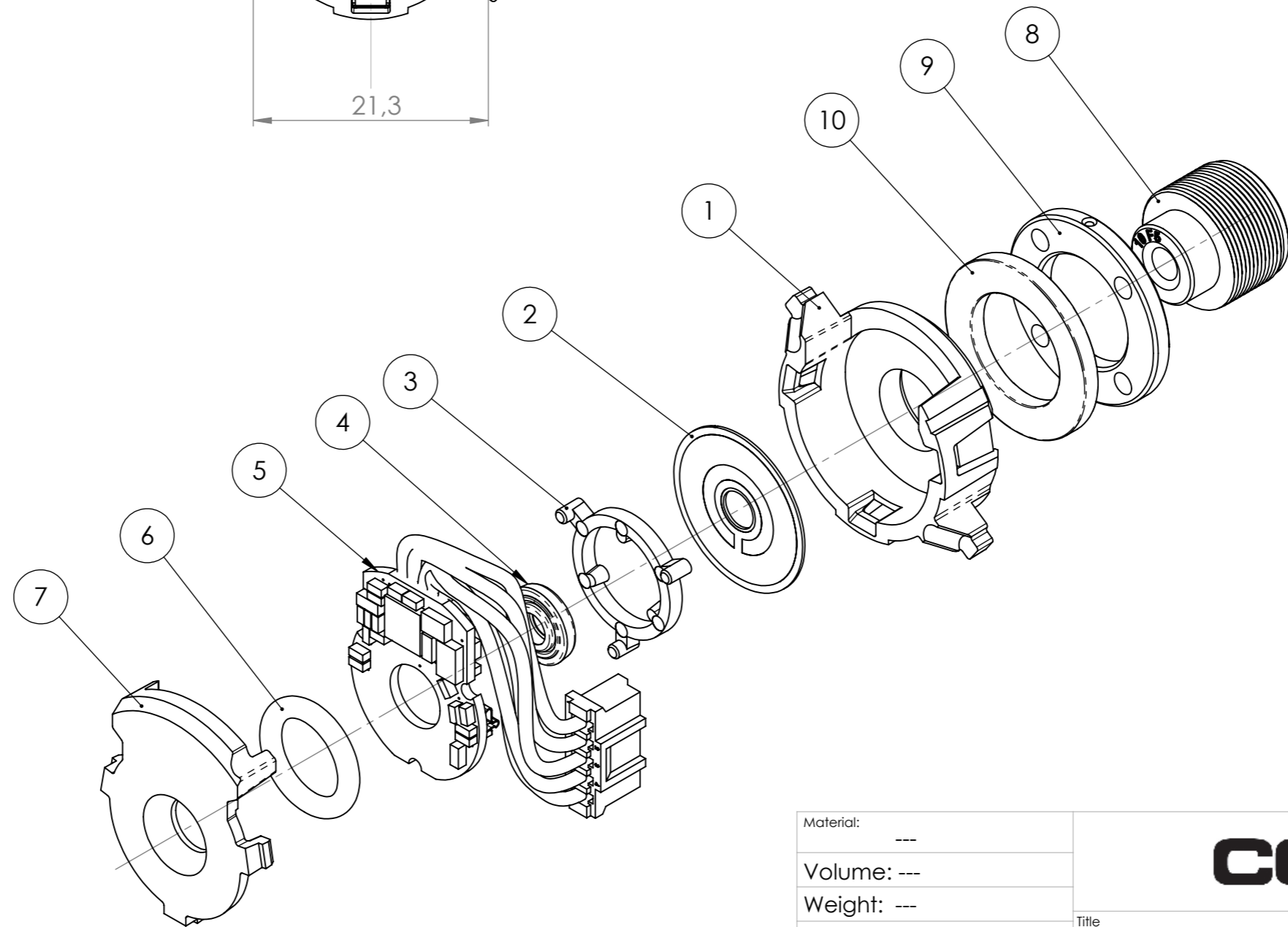
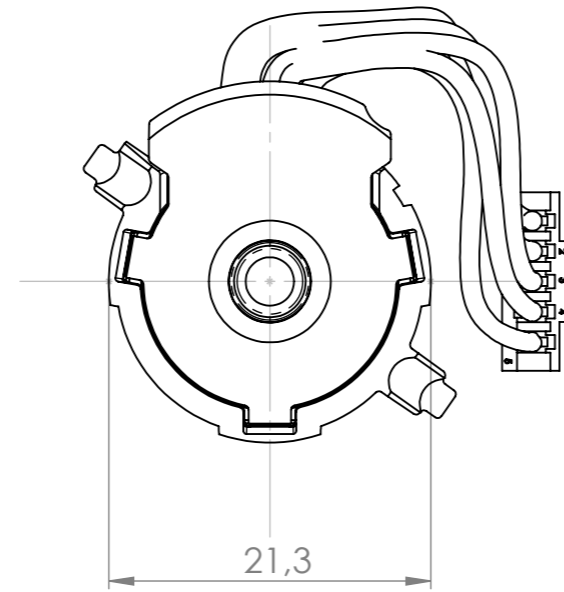
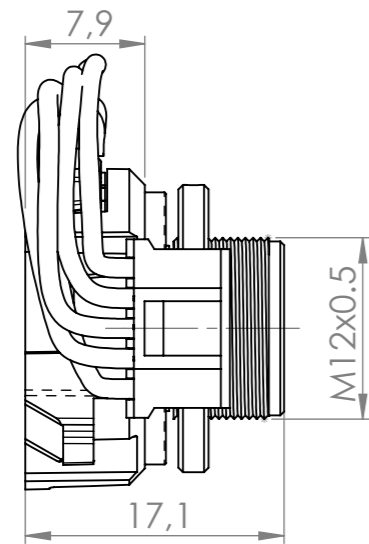


REVISIONS			
REV.	DESCRIPTION	DATE	APPROVED
A	Released per ECO 11-574	07/Feb/2012	FL



Material:	---
Volume:	---
Weight:	---
Tolerances	
x.X	± 0,1
x.XX	± 0,05
Drawn	F.Lingnau
Approved	---

**COGNEX**

Liquid lens unit  
OWL

Size	A3	Date	01.09.2011	Dwg No.	D820-0200-X	Rev	A
Scale	2:1	Unit	mm			SHEET 1 OF 1	