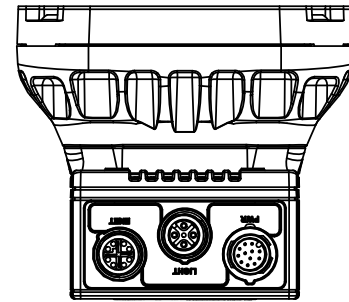


REVISIONS	
DATE	DESCRIPTION
5/22/17	INITIAL RELEASE



- NOTES:
1. ALL DIMENSIONS FOR REFERENCE PURPOSES ONLY.
  2. ALL SPECIFICATIONS MAY CHANGE WITHOUT NOTICE.

<b>DIMENSIONS:</b> UNLESS OTHERWISE SPECIFIED, DIMENSIONS ARE DISPLAYED IN MILLIMETERS [INCHES]	<b>COGNEX</b>		NATICK, MA 01760 <a href="http://www.cognex.com/support/In-Sight.asp">www.cognex.com/support/In-Sight.asp</a>
	<b>MATERIAL:</b> ALUMINUM PLASTIC	<b>APPLIES TO:</b> <b>IS7600 WITH LIGHT ACCESSORY</b>	
<b>TOLERANCES:</b> X.X[X.XX]: ± 0.25 [.010] X.XX[X.XXX]: ± 0.13 [.005] ANGULAR: ± .5° GEOMETRIC TOLERANCES PER ASME Y14.5M-1994	SCALE: 1:2	DOC NO: IS016-06	REL DATE: 5/22/17