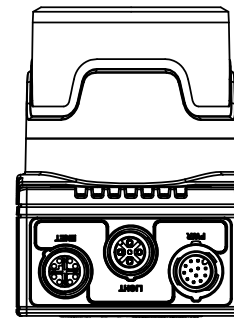
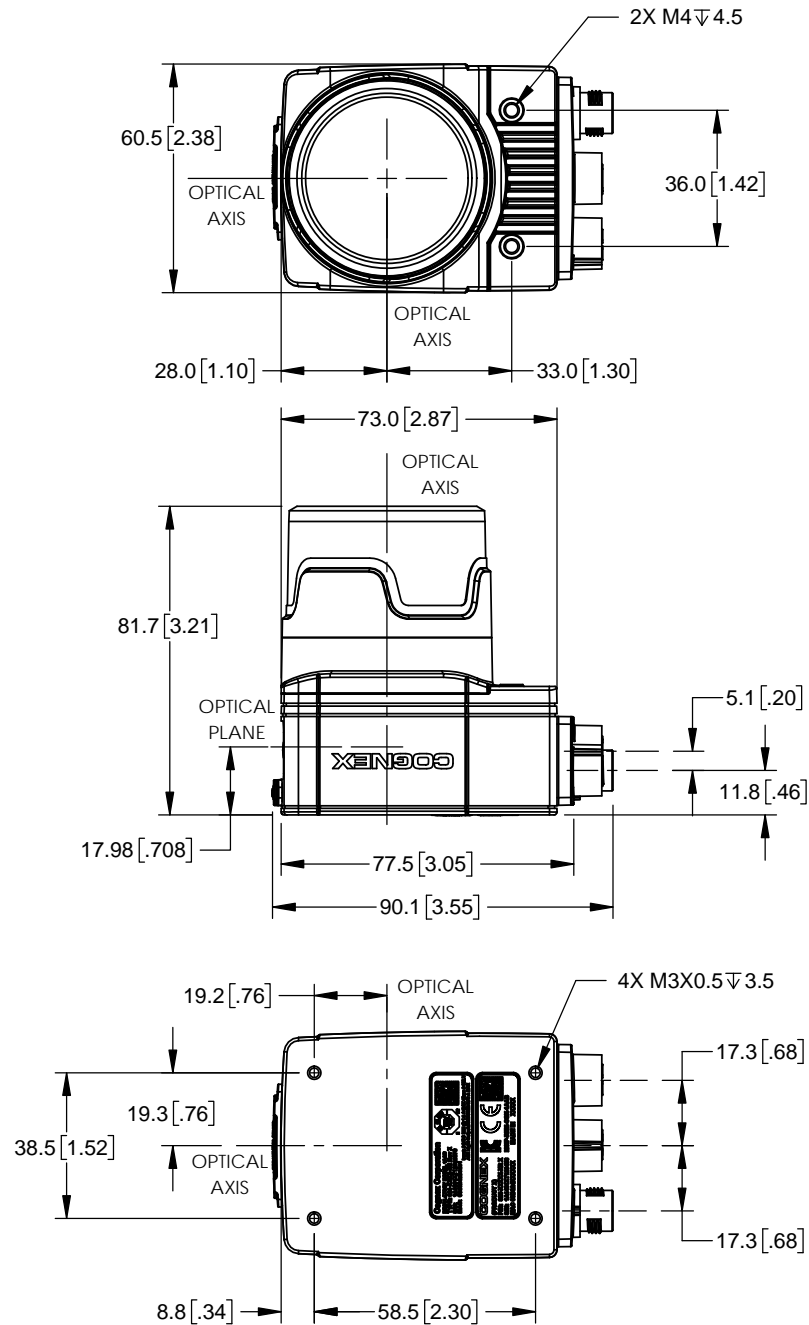


REVISIONS

DATE	DESCRIPTION
5/12/17	INITIAL RELEASE



NOTES:

1. ALL DIMENSIONS FOR REFERENCE PURPOSES ONLY.
2. ALL SPECIFICATIONS MAY CHANGE WITHOUT NOTICE.

DIMENSIONS: UNLESS OTHERWISE SPECIFIED, DIMENSIONS ARE DISPLAYED IN MILLIMETERS [INCHES]	<h1>COGNEX</h1> NATICK, MA 01760 www.cognex.com/support/In-Sight.asp		
	MATERIAL: ALUMINUM PLASTIC	APPLIES TO: IS7600 BASE WITH STANDARD LENS COVER	
TOLERANCES: X.X[X.XX]: ± 0.25 [.010] X.XX[X.XXX]: ± 0.13 [.005] ANGULAR: ± .5° GEOMETRIC TOLERANCES PER ASME Y14.5M-1994	SCALE: 1:2	DOC NO: IS016-02	REL DATE: 5/12/17