

Tunnel Lights

Tunnel lights, like dome lights, provide shadow-free lighting and are better at avoiding reflections from objects than are ring lights.

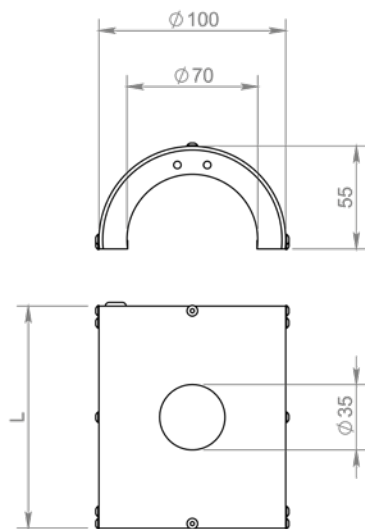
The most even illumination will be achieved by placing the light as close to the object as possible.

In order to prevent a camera hole shadow it is possible to use a coaxial light together with the tunnel light.

Optional brackets can be mounted at either end of the tunnel.



Mechanical Dimensions



Step files available on request

Color Information

Replace "X" in order number by one character ¹	Color	Wavelength (nm)
H	Red	617
W	White	
R	IR	880
B	Blue	465
G	Green	520
U	UV	395

¹ Example for red tunnel light: SAH3 5203

Order Information

Order number	Tunnel length (mm)	Controller ²	
		continuous/switching mode	strobe mode
SAX3 5203	119	1 A	8 A
SAX3 5204	155	1 A	8 A
SAX3 5205	191	1 A	8 A
SAX3 5206	227	1 A 3 A ³	8 A 24 A ³
SAX3 5207	283	1 A 3 A ³	8 A 24 A ³
SAX3 5208	299	1 A 3 A ³	8 A 24 A ³
SAX3 5209	335	1 A 3 A ³	8 A 24 A ³
SAX3 5210	371	1 A 3 A ³	8 A 24 A ³

² See "Controller selection" for details

³ For light colors white, blue, green and UV

Options

- Cable length and type see "Order options"
- Bracket options see "Lighting head brackets"
- Customized camera holes on request