

Strobe, 1Ch, 8A, PAD1 1131/8

This package consists of:

- PAD1 1131/8, Strobe control unit
- Power/Trigger cable, 5m

Specifications	
Voltage supply	24V DC ($\pm 10\%$)
Current requirement	max. 1A
Protection class	IP30
Operation temperature	0°C ... +65 °C
Storage temperature	-40°C....+80 °C
Storage humidity	max. 80%
Power output	max. 8A
Light intensity	0 to 100%
Strobe pulselength	50 to 1500 μ s
Trigger frequency	max. 200 Hz at 8A

Warning!

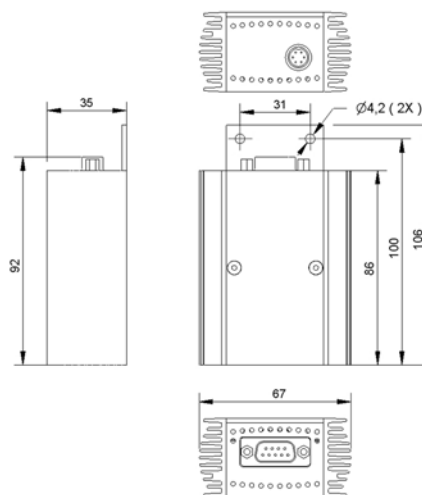
Do not connect to other than 24 V DC

Power/trigger cable		
Yellow	24 VDC	Pin 1, 2
Brown	0 V	Pin 3, 4
Green	Trigger +	Pin 8
White	Trigger -	Pin 9

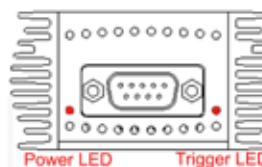
Trigger input: Optical isolated
Trigger range: 5-24VDC, 20mA

Light head connector:

Pull back the spring-loaded housing before connecting and disconnecting.



LED indication



Adjustment:

Open the units by unscrewing top cover.

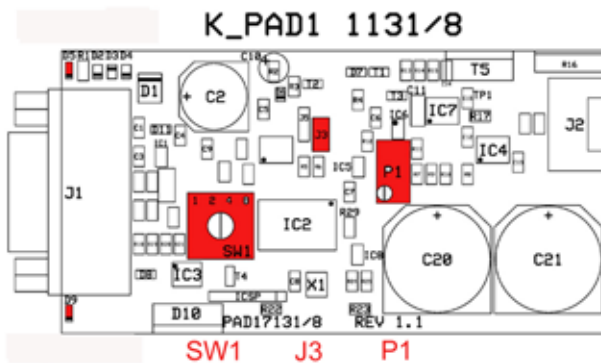


Table for strobe pulse width setting

SW1	μs	SW1	μs
0	50	8	600
1	100	9	700
2	150	A	800
3	200	B	900
4	250	C	1000
5	300	D	1100
6	400	E	1200
7	500	F	1500

Light intensity, P1:

Turning P1 anti-clockwise will decrease the light intensity.

Default value: 100%.

LATAB recommend to reduce the light intensity as much as possible to increase lifetime.

360 degr (1 turn) is equal to about 5%.

Pulse width, SW1:

The strobe pulse width can be set from 50 to 1500 μs by SW1. See table.

Factory preset to 1500 μs .

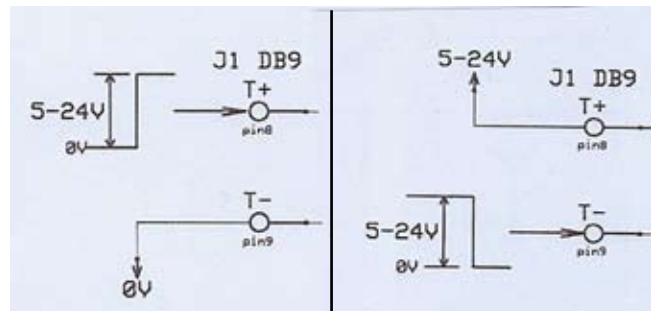
200 % intensity, J3:

Installing of the jumper J3 will double the intensity. The strobe pulse will be automatically limited to 100 μs to avoid overloading the LEDs.

Trigger configuration

Positive edge

Negativ edge



EEC compatibility:

This product, PAD1 1131/1 follow the EG-directive for EMC-compatibility, 89/336, additional 93/21/EEG and 93/86/EEG